

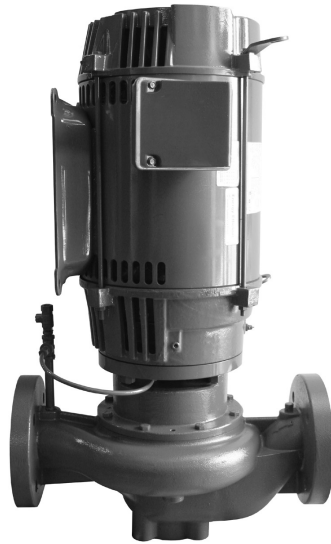
**REPLACEMENT PARTS**  
RE580



# Marlow Series e-580<sup>®</sup> In-Line Centrifugal Pumps

REPLACEMENT PARTS

 **GOULDS**  
WATER TECHNOLOGY  
a xylem brand



# Index

Nameplate Data ..... 3  
 Exploded View - Standard Seal Configuration ..... 4  
 Exploded View - Stuffing Box Configuration ..... 5

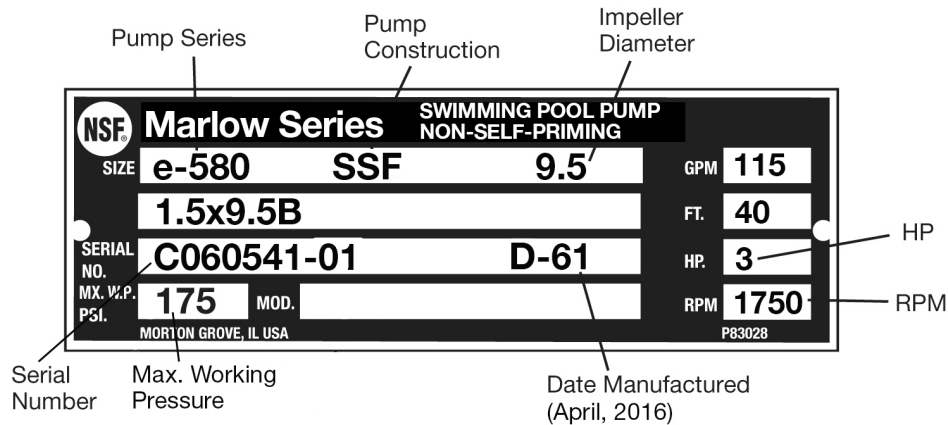
## Standard Configuration (-F)

1.5x7C, 2x7B, 2.5x7B ..... 6  
 3x7C, 4x7B, 5x7B, 6x7B ..... 7  
 1.5x9.5B, 2x9.5C, 2.5x9.5C, 3x9.5C ..... 8  
 4x9.5B, 5x9.5B, 6x9.5B, 8x9.5B ..... 9  
 3x11B, 4x11B, 6x11B, 8x11B ..... 10  
 4x13.5, 5x13.5. .... 11

## Stuffing Box Configuration (-S, -PF)

1.5x7C, 2x7B, 2.5x7B ..... 12  
 3x7C, 4x7B, 5x7B, 6x7B ..... 13  
 1.5x9.5B, 2x9.5C, 2.5x9.5C, 3x9.5C ..... 14  
 4x9.5B, 5x9.5B, 6x9.5B, 8x9.5B ..... 15  
 3x11B, 4x11B, 6x11B, 8x11B ..... 16  
 4x13.5, 5x13.5. .... 17

# Nameplate Data



The pump nameplate identifies the pump by pipe size, pump construction and impeller diameter as shown above. In this example, the nameplate shows a Series e-580, size 1.5x9.5B in stainless steel fitted (SSF) construction. The impeller diameter is 9.5" and the motor is 3 HP, 1800 RPM synchronous speed. The serial number specifically identifies the pump for future reference.

**DO NOT REMOVE THE NAMEPLATE.** It is important when ordering replacement parts to furnish complete nameplate data.

The Series e-580 pump is furnished in either a "Standard Seal" or "Stuffing Box" construction. The "Standard Seal" pump has no seal designation after the size.

The "Stuffing Box" model has two positive seal configurations:

**e-580-S Single Seal**

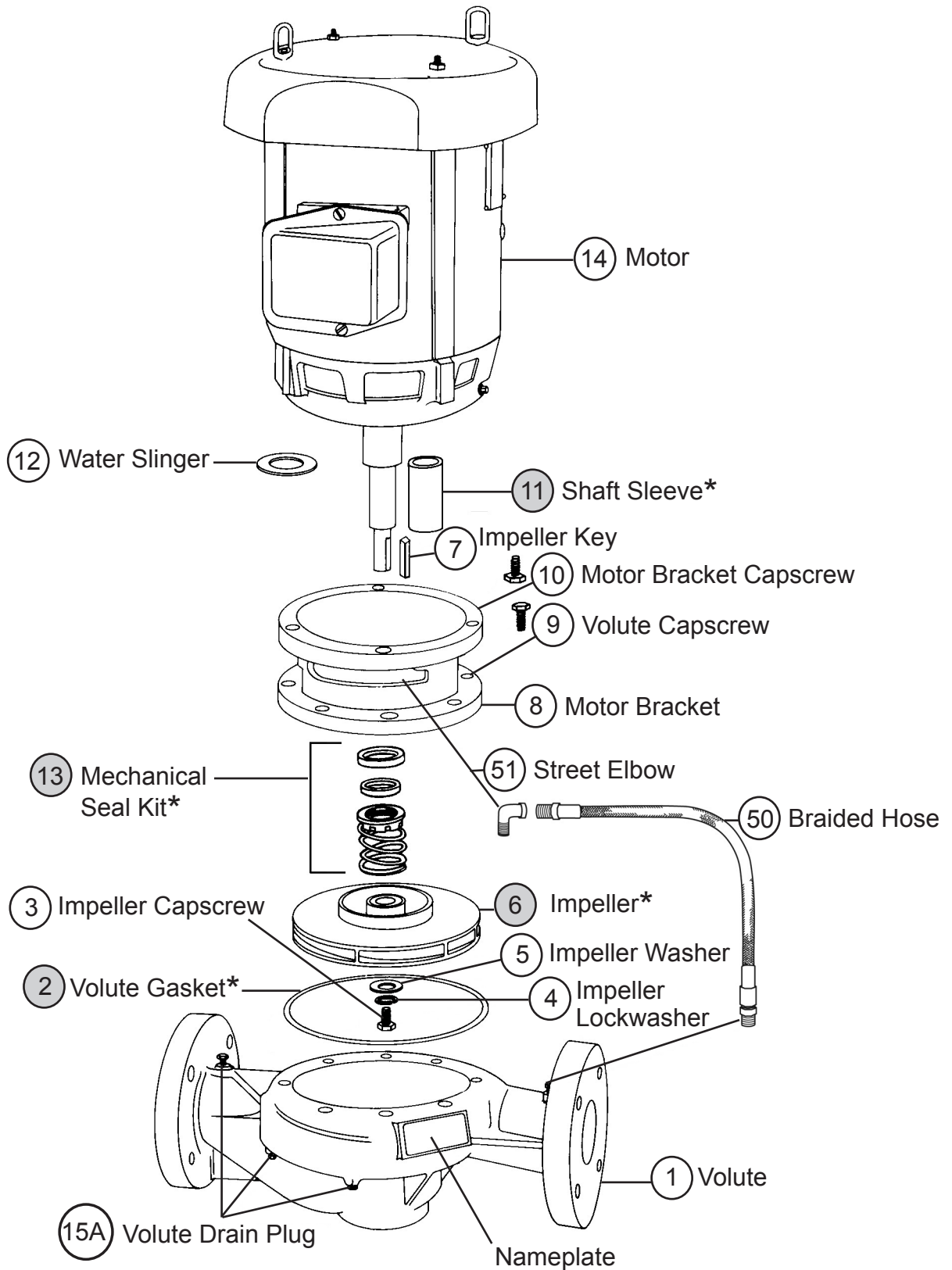
**e-580-PF Packing Rings with Flush (Lantern) Ring**

To ensure the correct parts are selected, use the following procedure:

1. Determine from the nameplate the pump size, seal configuration, pump construction and impeller diameter.
2. Measure the shaft diameter.
3. Refer to index for the page number of the parts breakdown for the specific size pump.
4. Find the proper column in the parts breakdown for the pump construction involved.
5. Select part numbers using the exploded view numbered drawing for identification. Where shaft diameter affects parts selection, use the measurement secured in Step 2.
6. Motor brackets vary with motor frame sizes. Use the motor frame number (found on the motor nameplate) to select the proper motor bracket. Supply complete motor nameplate data when ordering replacement motors.

# Series e-580 Pump Exploded View

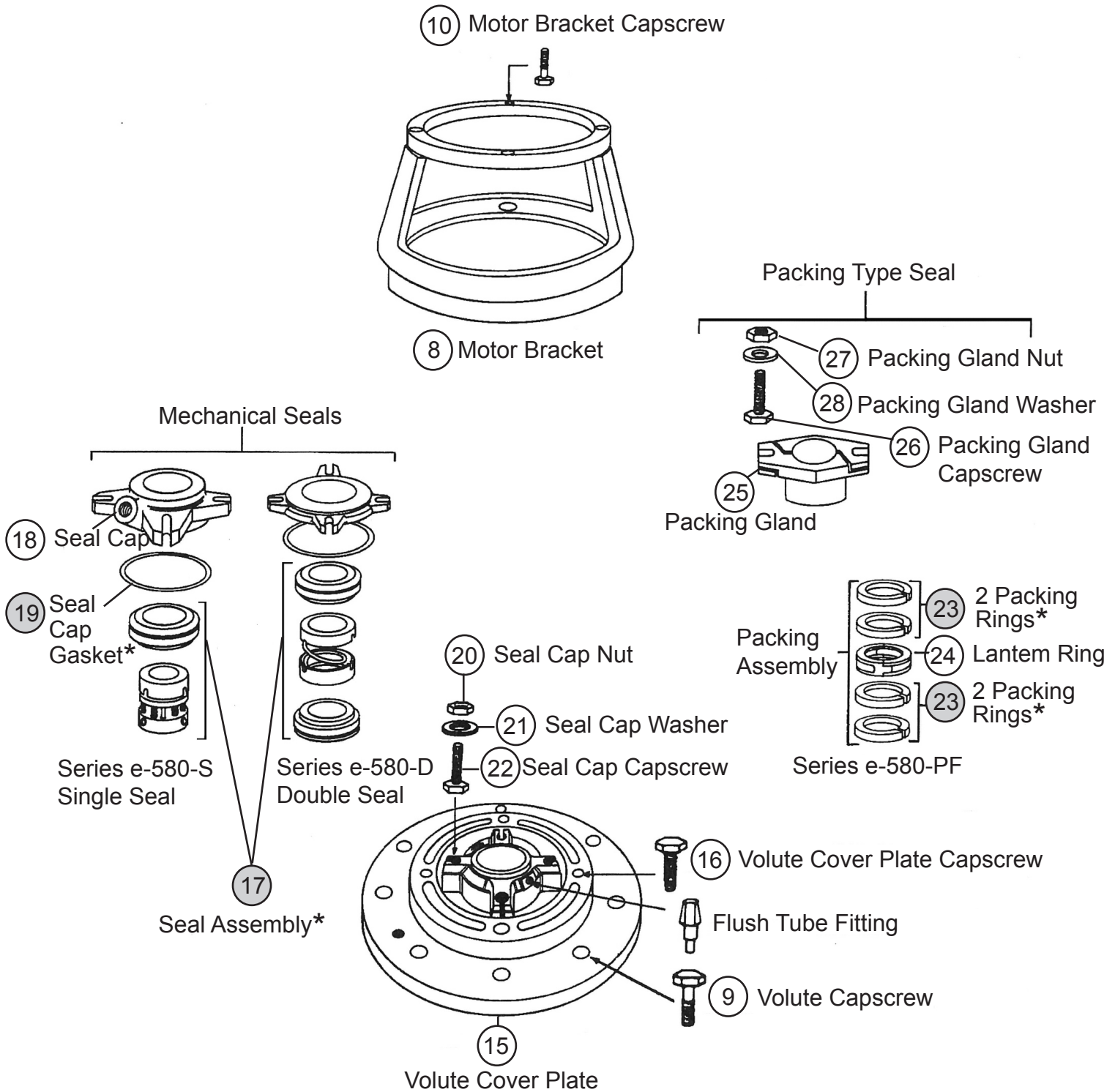
## Standard Seal Construction



\* Factory recommended spare parts

# Series e-580 Pump Exploded View

## Optional Stuffing Box Construction



\* Factory recommended spare parts

ITEM	DESCRIPTION (QTY)	1.5x1.5x7C	2x2x7B	2.5x2.5x7B
<b>STANDARD CONFIGURATION (-F)</b>				
1	Volute	P2002390	P2002392	P2002396
	Volute with Stainless Steel Wear Ring	P2002630	P2002646	P2002662
	Stainless Steel Wear Ring	P2001179	P2001180	P2001195
15A	Volute Drains and Suction Gauge Plug - 0.25" NPT (4)	P39040	P39040	P39040
9	Volute Capscrew (8)	P40020	P40020	P40020
2	Volute Gasket	P57700	P57700	P57700
50	Hose Braided	P2002542	P2002542	P2002542
51	Elbow Street 1/8"	J89092	J89092	J89092
<b>Parts for Pumps with 1.25" Shaft Sleeve Diameter at Mechanical Seal (Small Bore)</b>				
6	Impeller (State Diameter) 7" Full Diameter	P2000824	P2000840	P2000854
3	Impeller Capscrew	P52350	P52350	P52350
4	Impeller Lockwasher	J23874	J23874	J23874
5	Impeller Washer	P46380	P46380	P46380
7	Impeller Key	P49369	P49369	P49369
12	Water Slinger	P53550	P53550	P53550
8	Motor Bracket – Motor Frames 143JM,145JM,182JM,184JM	187260	187260	187260
10	Motor Bracket Capscrew (4) – Motor Frames 143JM,145JM,182JM,184JM	P40020	P40020	P40020
8	Motor Bracket – Motor Frames 213JM,215JM	187261	187261	187261
10	Motor Bracket Capscrew (4) – Motor Frames 213JM,215JM	K03600	K03600	K03600
13	Seal Kit Standard - Buna / Carbon vs Ceramic	186862LF	186862LF	186862LF
11	Shaft Sleeve Kit	185025	185025	185025
<b>Parts for Pumps with 1.625" Shaft Sleeve Diameter at Mechanical Seal (Large Bore)</b>				
6	Impeller (State Diameter) 7" Full Diameter	Not Available	P2000911	P2001149
3	Impeller Capscrew		P13800	P13800
4	Impeller Lockwasher		J23875	J23875
5	Impeller Washer		P51230	P51230
7	Impeller Key		P49372	P49372
12	Water Slinger		P53720	P53720
8	Motor Bracket – Motor Frames 254JM,256JM		187198	187198
	Motor Bracket Stud (4) – Motor Frames 254JM,256JM		DJ0479	DJ0479
	Motor Bracket Nut (4) – Motor Frames 254JM,256JM		F11400	F11400
8	Motor Bracket – Motor Frames 284JM,286JM,324JM,326JM		187199	187199
10	Motor Bracket Capscrew (4) – Motor Frames 284JM,286JM,324JM,326JM		P19490	P19490
13	Seal Kit Standard - Buna / Carbon vs Ceramic		186543LF	186543LF
11	Shaft Sleeve Kit		187202	187202

ITEM	DESCRIPTION (QTY)	3x3x7C	4x4x7B	5x5x7B	6x6x7B
<b>STANDARD CONFIGURATION (-F)</b>					
1	Volute	P2002400	P2002404	P2002412	P85337
	Volute with Stainless Steel Wear Ring	P2002678	P2002702	P2002734	P2002758
	Stainless Steel Wear Ring	P2001181	P2001182	P2001183	P2001645
15A	Volute Drains and Suction Gauge Plug - 0.25" NPT (4)	P39040	P39040	P39040	P39040
9	Volute Capscrew (8)	P40020	P40020	P40020	P40020
2	Volute Gasket	P57700	P57700	P57700	P57700
50	Hose Braided	P2002542	P2002543	P2002543	P2002543
51	Elbow Street 1/8"	J89092	J89092	J89092	J89092
<b>Parts for Pumps with 1.25" Shaft Sleeve Diameter at Mechanical Seal (Small Bore)</b>					
6	Impeller (State Diameter) 7" Full Diameter	P2000850	P2000858	P2000919	P2001003
3	Impeller Capscrew	P52350	P52350	P52350	P52350
4	Impeller Lockwasher	J23874	J23874	J23874	J23874
5	Impeller Washer	P46380	P46380	P46380	P46380
7	Impeller Key	P49369	P49369	P49369	P49369
12	Water Slinger	P53550	P53550	P53550	P53550
8	Motor Bracket – Motor Frames 143JM,145JM,182JM,184JM	187260	187260	187260	187260
10	Motor Bracket Capscrew (4) – Motor Frames 143JM,145JM,182JM,184JM	P40020	P40020	P40020	P40020
8	Motor Bracket – Motor Frames 213JM,215JM	187261	187261	187261	187261
10	Motor Bracket Capscrew (4) – Motor Frames 213JM,215JM	K03600	K03600	K03600	K03600
13	Seal Kit Standard - Buna / Carbon vs Ceramic	186862LF	186862LF	186862LF	186862LF
11	Shaft Sleeve Kit	185025	185025	185025	185025
<b>Parts for Pumps with 1.625" Shaft Sleeve Diameter at Mechanical Seal (Large Bore)</b>					
6	Impeller (State Diameter) 7" Full Diameter	P2000909	P2000860	P2000921	P2001005
3	Impeller Capscrew	P13800	P13800	P13800	P13800
4	Impeller Lockwasher	J23875	J23875	J23875	J23875
5	Impeller Washer	P51230	P51230	P51230	P51230
7	Impeller Key	P49372	P49372	P49372	P49372
12	Water Slinger	P53720	P53720	P53720	P53720
8	Motor Bracket – Motor Frames 254JM,256JM	187198	187198	187198	187198
	Motor Bracket Stud (4) – Motor Frames 254JM,256JM	DJ0479	DJ0479	DJ0479	DJ0479
	Motor Bracket Nut (4) – Motor Frames 254JM,256JM	F11400	F11400	F11400	F11400
8	Motor Bracket – Motor Frames 284JM,286JM,324JM,326JM	187199	187199	187199	187199
10	Motor Bracket Capscrew (4) – Motor Frames 284JM,286JM,324JM,326JM	P19490	P19490	P19490	P19490
13	Seal Kit Standard - Buna / Carbon vs Ceramic	186543LF	186543LF	186543LF	186543LF
11	Shaft Sleeve Kit	187202	187202	187202	187202

ITEM	DESCRIPTION (QTY)	1.5x1.5x9.5B	2x2x9.5C	2.5x2.5x9.5C	3x3x9.5C
<b>STANDARD CONFIGURATION (-F)</b>					
1	Volute	P2002480	P2002394	P2002398	P2002482
	Volute with Stainless Steel Wear Ring	P2002638	P2002654	P2002670	P2002686
	Stainless Steel Wear Ring	P2001184	P2001649	P2001653	P2002294
15A	Volute Drains and Suction Gauge Plug - 0.25" NPT (4)	P39040	P39040	P39040	P39040
2	Volute Gasket	P48690	P48690	P48690	P48690
50	Hose Braided	P2002542	P2002543	P2002543	P2002543
51	Elbow Street 1/8"	J89092	J89092	J89092	J89092
<b>Parts for Pumps with 1.25" Shaft Sleeve Diameter at Mechanical Seal (Small Bore)</b>					
6	Impeller (State Diameter) 9.5" Full Diameter	P2001007	P2001011	P2000844	P2001745
3	Impeller Capscrew	P52350	P52350	P52350	P52350
4	Impeller Lockwasher	J23874	J23874	J23874	J23874
5	Impeller Washer	P46380	P46380	P46380	P46380
7	Impeller Key	P49369	P49369	P49369	P49369
12	Water Slinger	P53550	P53550	P53550	P53550
9	Volute Capscrew (12)	P03470	P03470	P03470	P03470
8	Motor Bracket – Motor Frames 143JM,145JM,182JM,184JM	187262	187262	187262	187262
10	Motor Bracket Capscrew (4) - Motor Frames 143JM,145JM,182JM,184JM	P40020	P40020	P40020	P40020
8	Motor Bracket – Motor Frames 213JM,215JM	187263	187263	187263	187263
10	Motor Bracket Capscrew (4) – Motor Frames 213JM,215JM	K03600	K03600	K03600	K03600
13	Seal Kit Standard - Buna / Carbon vs Ceramic	186862LF	186862LF	186862LF	186862LF
11	Shaft Sleeve Kit	185025	185025	185025	185025
<b>Parts for Pumps with 1.625" Shaft Sleeve Diameter at Mechanical Seal (Large Bore)</b>					
6	Impeller (State Diameter) 9.5" Full Diameter	P2001009	P2001013	P2000846	P2001747
3	Impeller Capscrew	P13800	P13800	P13800	P13800
4	Impeller Lockwasher	J23875	J23875	J23875	J23875
5	Impeller Washer	P51230	P51230	P51230	P51230
7	Impeller Key	P49372	P49372	P49372	P49372
12	Water Slinger	P53720	P53720	P53720	P53720
8	Motor Bracket – Motor Frames 254JM,256JM	187200	187200	187200	187200
	Motor Bracket Stud (4) – Motor Frames 254JM,256JM	DJ0479	DJ0479	DJ0479	DJ0479
	Motor Bracket Nut (4) – Motor Frames 254JM,256JM	F11400	F11400	F11400	F11400
9	Volute Capscrew (12) – Motor Frames 254JM,256JM	P03470	P03470	P03470	P03470
8	Motor Bracket – Motor Frames 284JM,286JM,324JM,326JM	187201	187201	187201	187201
10	Motor Bracket Capscrew (4) – Motor Frames 284JM,286JM,324JM,326JM	P19490	P19490	P19490	P19490
9	Volute Capscrew (12) – Motor Frames 284JM,286JM,324JM,326JM	P54700	P54700	P54700	P54700
13	Seal Kit Standard - Buna / Carbon vs Ceramic	186543LF	186543LF	186543LF	186543LF
11	Shaft Sleeve Kit	187202	187202	187202	187202

ITEM	DESCRIPTION (QTY)	4x4x9.5B	5x5x9.5B	6x6x9.5B	8x8x9.5B
<b>STANDARD CONFIGURATION (-F)</b>					
1	Volute	P2002406	P2002414	P2002418	P2002422
	Volute with Stainless Steel Wear Ring	P2002710	P2002742	P2002765	P2002781
	Stainless Steel Wear Ring	P2001185	P2001197	P2001202	P2002303
15A	Volute Drains and Suction Gauge Plug - 0.25" NPT (4)	P39040	P39040	P39040	P39040
2	Volute Gasket	P48690	P48690	P48690	P48690
50	Hose Braided	P2002543	P2002543	P2002544	P2002544
51	Elbow Street 1/8"	J89092	J89092	J89092	J89092
<b>Parts for Pumps with 1.25" Shaft Sleeve Diameter at Mechanical Seal (Small Bore)</b>					
6	Impeller (State Diameter) 9.5" Full Diameter	P2000828	P2000864	P2000915	Not Available
3	Impeller Capscrew	P52350	P52350	P52350	
4	Impeller Lockwasher	J23874	J23874	J23874	
5	Impeller Washer	P46380	P46380	P46380	
7	Impeller Key	P49369	P49369	P49369	
12	Water Slinger	P53550	P53550	P53550	
9	Volute Capscrew (12)	P03470	P03470	P03470	
8	Motor Bracket – Motor Frames 143JM,145JM,182JM,184JM	187262	187262	187262	
10	Motor Bracket Capscrew (4) - Motor Frames 143JM,145JM,182JM,184JM	P40020	P40020	P40020	
8	Motor Bracket – Motor Frames 213JM,215JM	187263	187263	187263	
10	Motor Bracket Capscrew (4) – Motor Frames 213JM,215JM	K03600	K03600	K03600	
13	Seal Kit Standard - Buna / Carbon vs Ceramic	186862LF	186862LF	186862LF	
11	Shaft Sleeve Kit	185025	185025	185025	
<b>Parts for Pumps with 1.625" Shaft Sleeve Diameter at Mechanical Seal (Large Bore)</b>					
6	Impeller (State Diameter) 9.5" Full Diameter	P2000830	P2000866	P2000917	P2000870
3	Impeller Capscrew	P13800	P13800	P13800	P13800
4	Impeller Lockwasher	J23875	J23875	J23875	J23875
5	Impeller Washer	P51230	P51230	P51230	P51230
7	Impeller Key	P49372	P49372	P49372	P49372
12	Water Slinger	P53720	P53720	P53720	P53720
8	Motor Bracket – Motor Frames 254JM,256JM	187200	187200	187200	187200
	Motor Bracket Stud (4) – Motor Frames 254JM,256JM	DJ0479	DJ0479	DJ0479	DJ0479
	Motor Bracket Nut (4) – Motor Frames 254JM,256JM	F11400	F11400	F11400	F11400
9	Volute Capscrew (12) – Motor Frames 254JM,256JM	P03470	P03470	P03470	P03470
8	Motor Bracket – Motor Frames 284JM,286JM,324JM,326JM	187201	187201	187201	187201
10	Motor Bracket Capscrew (4) – Motor Frames 284JM,286JM,324JM,326JM	P19490	P19490	P19490	P19490
9	Volute Capscrew (12) – Motor Frames 284JM,286JM,324JM,326JM	P54700	P54700	P54700	P54700
13	Seal Kit Standard - Buna / Carbon vs Ceramic	186543LF	186543LF	186543LF	186543LF
11	Shaft Sleeve Kit	187202	187202	187202	187202

ITEM	DESCRIPTION (QTY)	3x3x11B	4x4x11B	6x6x11B	8x8x11B
<b>STANDARD CONFIGURATION (-F)</b>					
1	Volute	P2002402	P2002408	P2002420	P2002484
	Volute with Stainless Steel Wear Ring	P2002694	P2002718	P2002773	P2002789
	Stainless Steel Wear Ring	P2001666	P2002312	P2002321	P2002329
15A	Volute Drains and Suction Gauge Plug - 0.25" NPT (4)	P39040	P39040	P39040	P39040
9	Volute Capscrews (16) - Motor Frames 213JM, 215JM, 254JM, 256JM	P13780	P13780	P13780	P13780
9	Volute Studs (16) - Motor Frames 284JM,286JM,324JM,326JM	DJ0479	DJ0479	DJ0479	DJ0479
9	Volute Nuts (16) - Motor Frames 284JM,286JM,324JM,326JM	F11400	F11400	F11400	F11400
2	Volute Gasket	P80765	P80765	P80765	P80765
50	Hose Braided	P2002543	P2002543	P2002544	P2002544
51	Elbow Street 1/8"	J89092	J89092	J89092	J89092
<b>Parts for Pumps with 1.25" Shaft Sleeve Diameter at Mechanical Seal (Small Bore)</b>					
6	Impeller (State Diameter) 11" Full Diameter	P2000874	P2001171	Not Available	
3	Impeller Capscrew	P52350	P52350		
4	Impeller Lockwasher	J23874	J23874		
5	Impeller Washer	P46380	P46380		
7	Impeller Key	P49369	P49369		
12	Water Slinger	P53550	P53550		
8	Motor Bracket – Motor Frames 213JM,215JM	187266	187266		
10	Motor Bracket Capscrew (4) – Motor Frames 213JM,215JM	K03600	K03600		
13	Seal Kit Standard - Buna / Carbon vs Ceramic	186862LF	186862LF		
11	Shaft Sleeve Kit	185025	185025		
<b>Parts for Pumps with 1.625" Shaft Sleeve Diameter at Mechanical Seal (Large Bore)</b>					
6	Impeller (State Diameter) 11" Full Diameter	P2000876	P2001173	P2001146	P2001741
3	Impeller Capscrew	P13800	P13800	P13800	P13800
4	Impeller Lockwasher	J23875	J23875	J23875	J23875
5	Impeller Washer	P51230	P51230	P51230	P51230
7	Impeller Key	P77320	P49372	P49372	P49372
12	Water Slinger	P53720	P53720	P53720	P53720
8	Motor Bracket – Motor Frames 254JM,256JM	P2002504	P2002504	P2002504	P2002504
	Motor Bracket Stud (4) – Motor Frames 254JM,256JM	DJ0479	DJ0479	DJ0479	DJ0479
	Motor Bracket Nut (4) – Motor Frames 254JM,256JM	F11400	F11400	F11400	F11400
8	Motor Bracket – Motor Frames 284JM,286JM,324JM,326JM	P2002506	P2002506	P2002506	P2002506
	Motor Bracket Stud (4) – Motor Frames 284JM,286JM,324JM,326JM	P2002540	P2002540	P2002540	P2002540
	Motor Bracket Nut (4) – Motor Frames 284JM,286JM,324JM,326JM	P2002541	P2002541	P2002541	P2002541
13	Seal Kit Standard - Buna / Carbon vs Ceramic	186543LF	186543LF	186543LF	186543LF
11	Shaft Sleeve Kit	187202	187202	187202	187202

ITEM	DESCRIPTION (QTY)	4x4x13.5	5x5x13.5
<b>STANDARD CONFIGURATION (-F)</b>			
1	Volute	P2002410	P2002416
	Volute with Stainless Steel Wear Ring	P2002726	P2002750
	Stainless Steel Wear Ring	P2002355	P2001684
15A	Volute Drains and Suction Gauge Plug - 0.25" NPT (4)	P39040	P39040
9	Volute Capscrew (16)	P13780	P13780
2	Volute Gasket	P80767	P80767
50	Hose Braided	P2002544	P2002544
51	Elbow Street 1/8"	J89092	J89092
<b>Parts for Pumps with 1.625" Shaft Sleeve Diameter at Mechanical Seal (Large Bore)</b>			
6	Impeller (State Diameter) 13.5" Full Diameter	P2000888	P2000884
3	Impeller Capscrew	P13800	P13800
4	Impeller Lockwasher	J23875	J23875
5	Impeller Washer	P51230	P51230
7	Impeller Key	P49372	P49372
12	Water Slinger	P53720	P53720
8	Motor Bracket - Motor Frames 254JM,256JM	P2002510	P2002510
	Motor Stud (4) - Motor Frames 254JM,256JM	DJ0479	DJ0479
	Motor Nut (4) - Motor Frames 254JM,256JM	F11400	F11400
	Motor Lockwasher (4) - Motor Frames 254JM,256JM	P11200	P11200
8	Motor Bracket - Motor Frames 284JM,286JM,324JM,326JM	P2002512	P2002512
	Motor Stud (4) - Motor Frames 284JM,286JM,324JM,326JM	P2002540	P2002540
	Motor Nut (4) - Motor Frames 284JM,286JM,324JM,326JM	P2002541	P2002541
13	Seal Kit Standard - Buna / Carbon vs Ceramic	186544	186544
11	Shaft Sleeve Kit	187202	187202

ITEM	DESCRIPTION (QTY)	1.5x1.5x7C	2x2x7B	2.5x2.5x7B
<b>STUFFING BOX CONFIGURATION (-S, -PF)</b>				
1	Volute - Standard 175 psi working pressure	P2002390	P2002392	P2002396
	Volute with Stainless Steel Wear Ring - Standard 175 psi w. p.	P2002630	P2002646	P2002662
1	Volute - Optional 250 psi working pressure			
	Volute with Stainless Steel Wear Ring - Optional 250 psi w. p.			
	Stainless Steel Wear Ring	P2001179	P2001180	P2001195
15A	Volute and Bracket Plugs - 0.25" NPT (5)	P39040	P39040	P39040
2	Volute Gasket	P57700	P57700	P57700
50	Hose Braided	P2002542	P2002542	P2002542
	Adapter 1/4 to 1/8 NPT (2) -S, (1) -PF	511849	511849	511849
	Pipe Nipple 1/4	S26300	S26300	S26300
	Tee 1/4	S39740	S39740	S39740
	Valve, Vent 1/8 -S	P75255	P75255	P75255
	Valve, Flush Flow 1/4 -PF	52-160-004-001	52-160-004-001	52-160-004-001
<b>Parts for Pumps with 1.25" Shaft Sleeve Diameter at Mechanical Seal (Small Bore)</b>				
9	Volute Capscrew (8)	P40020	P40020	P40020
15	Volute Coverplate	P85027	P85027	P85027
16	Volute Coverplate Capscrew (4)	P52320	P52320	P52320
6	Impeller (State Diameter) 7" Full Diameter	P2000824	P2000840	P2000854
3	Impeller Capscrew	P52350	P52350	P52350
4	Impeller Lockwasher	J23874	J23874	J23874
5	Impeller Washer	P46380	P46380	P46380
7	Impeller Key	P49369	P49369	P49369
12	Water Slinger	P53550	P53550	P53550
8	Motor Bracket – Motor Frames 143JP,145JP,182JP,184JP	P85023	P85023	P85023
10	Motor Bracket Capscrew (4) – Motor Frames 143JP,145JP,182JP,184JP	P40020	P40020	P40020
11	Shaft Sleeve	P85075	P85075	P85075
<b>Mechanical Seal for Stuffing Box Configuration (-S) (Small Bore)</b>				
17	Seal Assembly EPR / Carbon vs Tungsten Carbide	P85070	P85070	P85070
18	Seal Cap	P85082	P85082	P85082
22	Seal Cap Capscrew (4)	H28200	H28200	H28200
20	Seal Cap Nut (4)	P52380	P52380	P52380
21	Seal Cap Washer (4)	P10910	P10910	P10910
19	Seal Cap Gasket	P85077	P85077	P85077
<b>Packing for Stuffing Box Configuration (-PF) (Small Bore)</b>				
23	Packing Ring Set (4 Pieces to Each Set)	P82070	P82070	P82070
24	Lantern Ring Set (2 Pieces to Each Set)	P84985	P84985	P84985
25	Packing Gland Halves (2) - Brass	P85048	P85048	P85048
26	Packing Gland Capscrew (2)	J92052	J92052	J92052
27	Packing Gland Nut (2)	J91659	J91659	J91659
28	Packing Gland Washer (2)	J91649	J91649	J91649
<b>Parts for Pumps with 1.625" Shaft Sleeve Diameter at Mechanical Seal (Large Bore)</b>				
16	Volute and Coverplate Capscrew (8)	Not Available	DJ0081	DJ0081
15	Volute Coverplate		P85035	P85035
6	Impeller (state diameter) 7" Full Diameter		P2000911	P2001149
3	Impeller Capscrew		P13800	P13800
4	Impeller Lockwasher		J23875	J23875
5	Impeller Washer		P51230	P51230
7	Impeller Key		P49372	P49372
12	Water Slinger		P77320	P77320
8	Motor Bracket – Motor Frames 213JP,215JP,254JP,256JP		P85025	P85025
10	Motor Bracket Capscrew (4) – Motor Frames 213JP,215JP,254JP,256JP		K03600	K03600
8	Motor Bracket – Motor Frames 284JP,286JP,324JP,326JP		P85099	P85099
10	Motor Bracket Capscrew (4) – Motor Frames 284JP,286JP,324JP,326JP	P19490	P19490	
11	Shaft Sleeve Kit	185022	185022	
<b>Mechanical Seal for Stuffing Box Configuration (-S) (Large Bore)</b>				
17	Seal Assembly EPR / Carbon vs Tungsten Carbide	Not Available	185050LF	185050LF
18	Seal Cap		P85086	P85086
22	Seal Cap Capscrew (4)		H28200	H28200
20	Seal Cap Nut (4)		P52380	P52380
21	Seal Cap Washer (4)		P10910	P10910
19	Seal Cap Gasket		P85078	P85078
<b>Packing for Stuffing Box Configuration (-PF) (Large Bore)</b>				
17	Packing Ring Set (4 Pieces to Each Set)	Not Available	P82072	P82072
18	Lantern Ring Set (2 Pieces to Each Set)		P84986	P84986
19	Packing Gland Halves (2) - Brass		P85050	P85050
21	Packing Gland Capscrew (2)		J92052	J92052
22	Packing Gland Nut (2)		J91659	J91659
20	Packing Gland Washer (2)		J91649	J91649

ITEM	DESCRIPTION (QTY)	3x3x7C	4x4x7B	5x5x7B	6x6x7B
<b>STUFFING BOX CONFIGURATION (-S, -PF)</b>					
1	Volute - Standard 175 psi working pressure	P2002400	P2002404	P2002412	P85337
	Volute with Stainless Steel Wear Ring - - Standard 175 psi w. p.	P2002678	P2002702	P2002734	P2002758
1	Volute - Optional 250 psi working pressure				
	Volute with Stainless Steel Wear Ring - - Optional 250 psi w. p.				
	Stainless Steel Wear Ring	P2001181	P2001182	P2001183	P2001645
15A	Volute and Bracket Plugs - 0.25" NPT (5)	P39040	P39040	P39040	P39040
2	Volute Gasket	P57700	P57700	P57700	P57700
50	Hose Braided	P2002542	P2002543	P2002543	P2002543
	Adapter 1/4 to 1/8 NPT (2) -S, (1) -PF	511849	511849	511849	511849
	Pipe Nipple 1/4	S26300	S26300	S26300	S26300
	Tee 1/4	S39740	S39740	S39740	S39740
	Valve, Vent 1/8 -S	P75255	P75255	P75255	P75255
	Valve, Flush Flow 1/4 -PF	52-160-004-001	52-160-004-001	52-160-004-001	52-160-004-001
<b>Parts for Pumps with 1.25" Shaft Sleeve Diameter at Mechanical Seal (Small Bore)</b>					
9	Volute Capscrew (8)	P40020	P40020	P40020	P40020
15	Volute Coverplate	P85027	P85027	P85027	P85027
16	Volute Coverplate Capscrew (4)	P52320	P52320	P52320	P52320
6	Impeller (State Diameter) 7" Full Diameter	P2000850	P2000858	P2000919	P2001003
3	Impeller Capscrew	P52350	P52350	P52350	P52350
4	Impeller Lockwasher	J23874	J23874	J23874	J23874
5	Impeller Washer	P46380	P46380	P46380	P46380
7	Impeller Key	P49369	P49369	P49369	P49369
12	Water Slinger	P53550	P53550	P53550	P53550
8	Motor Bracket – Motor Frames 143JP,145JP,182JP,184JP	P85023	P85023	P85023	P85023
10	Motor Bracket Capscrew (4) – Motor Frames 143JP,145JP,182JP,184JP	P40020	P40020	P40020	P40020
11	Shaft Sleeve	P85075	P85075	P85075	P85075
<b>Mechanical Seal for Stuffing Box Configuration (-S) (Small Bore)</b>					
17	Seal Assembly EPR / Carbon vs Tungsten Carbide	P85070	P85070	P85070	P85070
18	Seal Cap	P85082	P85082	P85082	P85082
22	Seal Cap Capscrew (4)	H28200	H28200	H28200	H28200
20	Seal Cap Nut (4)	P52380	P52380	P52380	P52380
21	Seal Cap Washer (4)	P10910	P10910	P10910	P10910
19	Seal Cap Gasket	P85077	P85077	P85077	P85077
<b>Packing for Stuffing Box Configuration (-PF) (Small Bore)</b>					
23	Packing Ring Set (4 Pieces to Each Set)	P82070	P82070	P82070	P82070
24	Lantern Ring Set (2 Pieces to Each Set)	P84985	P84985	P84985	P84985
25	Packing Gland Halves (2) - Brass	P85048	P85048	P85048	P85048
26	Packing Gland Capscrew (2)	J92052	J92052	J92052	J92052
27	Packing Gland Nut (2)	J91659	J91659	J91659	J91659
28	Packing Gland Washer (2)	J91649	J91649	J91649	J91649
<b>Parts for Pumps with 1.625" Shaft Sleeve Diameter at Mechanical Seal (Large Bore)</b>					
16	Volute and Coverplate Capscrew (8)	DJ0081	DJ0081	DJ0081	DJ0081
15	Volute Coverplate	P85035	P85035	P85035	P85035
6	Impeller (state diameter) 7" Full Diameter	P2000909	P2000860	P2000921	P2001005
3	Impeller Capscrew	P13800	P13800	P13800	P13800
4	Impeller Lockwasher	J23875	J23875	J23875	J23875
5	Impeller Washer	P51230	P51230	P51230	P51230
7	Impeller Key	P49372	P49372	P49372	P49372
12	Water Slinger	P77320	P77320	P77320	P77320
8	Motor Bracket – Motor Frames 213JP,215JP,254JP,256JP	P85025	P85025	P85025	P85025
10	Motor Bracket Capscrew (4) – Motor Frames 213JP,215JP,254JP,256JP	K03600	K03600	K03600	K03600
8	Motor Bracket – Motor Frames 284JP,286JP,324JP,326JP	P85099	P53880	P85099	P53880
10	Motor Bracket Capscrew (4) – Motor Frames 284JP,286JP,324JP,326JP	P19490	P19490	P19490	P19490
11	Shaft Sleeve Kit	185022	185022	185022	185022
<b>Mechanical Seal for Stuffing Box Configuration (-S) (Large Bore)</b>					
17	Seal Assembly EPR / Carbon vs Tungsten Carbide	185050LF	185050LF	185050LF	185050LF
18	Seal Cap	P85086	P85086	P85086	P85086
22	Seal Cap Capscrew (4)	H28200	H28200	H28200	H28200
20	Seal Cap Nut (4)	P52380	P52380	P52380	P52380
21	Seal Cap Washer (4)	P10910	P10910	P10910	P10910
19	Seal Cap Gasket	P85078	P85078	P85078	P85078
<b>Packing for Stuffing Box Configuration (-PF) (Large Bore)</b>					
23	Packing Ring Set (4 Pieces to Each Set)	P82072	P82072	P82072	P82072
24	Lantern Ring Set (2 Pieces to Each Set)	P84986	P84986	P84986	P84986
25	Packing Gland Halves (2) - Brass	P85050	P85050	P85050	P85050
26	Packing Gland Capscrew (2)	J92052	J92052	J92052	J92052
27	Packing Gland Nut (2)	J91659	J91659	J91659	J91659
28	Packing Gland Washer (2)	J91649	J91649	J91649	J91649

ITEM	DESCRIPTION (QTY)	1.5x1.5x9.5B	2x2x9.5C	2.5x2.5x9.5C	3x3x9.5C
<b>STUFFING BOX CONFIGURATION (-S, -PF)</b>					
1	Volute	P2002480	P2002394	P2002398	P2002482
	Volute with Stainless Steel Wear Ring	P2002638	P2002654	P2002670	P2002686
	Stainless Steel Wear Ring	P2001184	P2001649	P2001653	P2002294
15A	Volute Drains and Suction Gauge Plug - 0.25" NPT (4)	P39040	P39040	P39040	P39040
9	Volute Capscrew (12) for Frame Sizes thru 256JP	P03470	P03470	P03470	P03470
9	Volute Capscrew (12) for Frame Sizes 284JP and Larger	P54700	P54700	P54700	P54700
2	Volute Gasket	P48690	P48690	P48690	P48690
50	Hose Braided	P2002542	P2002543	P2002543	P2002543
	Adapter 1/4 to 1/8 NPT (2) -S, (1) -PF	511849	511849	511849	511849
	Pipe Nipple 1/4	S26300	S26300	S26300	S26300
	Tee 1/4	S39740	S39740	S39740	S39740
	Valve, Vent 1/8 -S	P75255	P75255	P75255	P75255
	Valve, Flush Flow 1/4 -PF	52-160-004-001	52-160-004-001	52-160-004-001	52-160-004-001
<b>Parts for Pumps with 1.25" Shaft Sleeve Diameter at Mechanical Seal (Small Bore)</b>					
15	Volute Coverplate	P85031	P85031	P85031	P85031
16	Volute Coverplate Capscrew (4)	P52320	P52320	P52320	P52320
6	Impeller (State Diameter) 9.5" Full Diameter	P2001007	P2001011	P2000844	P2001745
3	Impeller Capscrew	P52350	P52350	P52350	P52350
4	Impeller Lockwasher	J23874	J23874	J23874	J23874
5	Impeller Washer	P46380	P46380	P46380	P46380
7	Impeller Key	P49369	P49369	P49369	P49369
12	Water Slinger	P53550	P53550	P53550	P53550
8	Motor Bracket – Motor Frames 143JP,145JP,182JP,184JP	P85023	P85023	P85023	P85023
10	Motor Bracket Capscrew for above (4)	P40020	P40020	P40020	P40020
11	Shaft Sleeve	P85075	P85075	P85075	P85075
<b>Mechanical Seal for Stuffing Box Configuration (-S) (Small Bore)</b>					
17	Seal Assembly EPR / Carbon vs Tungsten Carbide	P85070	P85070	P85070	P85070
18	Seal Cap	P85082	P85082	P85082	P85082
22	Seal Cap Capscrew (4)	H28100	H28100	H28100	H28100
20	Seal Cap Nut (4)	P52380	P52380	P52380	P52380
21	Seal Cap Washer (4)	P10910	P10910	P10910	P10910
19	Seal Cap Gasket	P85077	P85077	P85077	P85077
<b>Packing for Stuffing Box Configuration (-PF) (Small Bore)</b>					
23	Packing Ring Set (4 Pieces to Each Set)	P82070	P82070	P82070	P82070
24	Lantern Ring Set (2 Pieces to Each Set)	P84985	P84985	P84985	P84985
25	Packing Gland Halves (2) - Brass	P85048	P85048	P85048	P85048
26	Packing Gland Capscrew (2)	J92052	J92052	J92052	J92052
27	Packing Gland Nut (2)	J91659	J91659	J91659	J91659
28	Packing Gland Washer (2)	J91649	J91649	J91649	J91649
<b>Parts for Pumps with 1.625" Shaft Sleeve Diameter at Mechanical Seal (Large Bore)</b>					
15	Volute Coverplate	P85039	P85039	P85039	P85039
16	Volute Coverplate Capscrew (8)	P52320	P52320	P52320	P52320
6	Impeller (State Diameter) 9.5" Full Diameter	P2001009	P2001013	P2000846	P2001747
3	Impeller Capscrew	P13800	P13800	P13800	P13800
4	Impeller Lockwasher	J23875	J23875	J23875	J23875
5	Impeller Washer	P51230	P51230	P51230	P51230
7	Impeller Key	P49372	P49372	P49372	P49372
12	Water Slinger	P77320	P77320	P77320	P77320
8	Motor Bracket – Motor Frames 213JP,215JP,254JP,256JP	P85025	P85025	P85025	P85025
10	Motor Bracket Capscrew for above (4)	K03600	K03600	K03600	K03600
8	Motor Bracket – Motor Frames 284JP,286JP,324JP,326JP	P85099	P85099	P85099	P85099
10	Motor Bracket Capscrew for above (4)	P19490	P19490	P19490	P19490
11	Shaft Sleeve Kit	185022	185022	185022	185022
<b>Mechanical Seal for Stuffing Box Configuration (-S) (Large Bore)</b>					
17	Seal Assembly EPR / Carbon vs Tungsten Carbide	185050LF	185050LF	185050LF	185050LF
18	Seal Cap	P85086	P85086	P85086	P85086
22	Seal Cap Capscrew (4)	H28200	H28200	H28200	H28200
20	Seal Cap Nut (4)	P52380	P52380	P52380	P52380
21	Seal Cap Washer (4)	P10910	P10910	P10910	P10910
19	Seal Cap Gasket	P85078	P85078	P85078	P85078
<b>Packing for Stuffing Box Configuration (-PF) (Large Bore)</b>					
23	Packing Ring Set (4 Pieces to Each Set)	P82072	P82072	P82072	P82072
24	Lantern Ring Set (2 Pieces to Each Set)	P84986	P84986	P84986	P84986
25	Packing Gland Halves (2) - Brass	P85050	P85050	P85050	P85050
26	Packing Gland Capscrew (2)	J92052	J92052	J92052	J92052
27	Packing Gland Nut (2)	J91659	J91659	J91659	J91659
28	Packing Gland Washer (2)	J91649	J91649	J91649	J91649

ITEM	DESCRIPTION (QTY)	4x4x9.5B	5x5x9.5B	6x6x9.5B	8x8x9.5B
<b>STUFFING BOX CONFIGURATION (-S, -PF)</b>					
1	Volute	P2002406	P2002414	P2002418	P2002422
	Volute with Stainless Steel Wear Ring	P2002710	P2002742	P2002765	P2002781
	Stainless Steel Wear Ring	P2001185	P2001197	P2001202	P2002303
15A	Volute Drains and Suction Gauge Plug - 0.25" NPT (4)	P39040	P39040	P39040	P39040
9	Volute Capscrew (12) for Frame Sizes thru 256JP	P03470	P03470	P03470	P03470
9	Volute Capscrew (12) for Frame Sizes 284JP and Larger	P54700	P54700	P54700	P54700
2	Volute Gasket	P48690	P48690	P48690	P48690
50	Hose Braided	P2002543	P2002543	P2002544	P2002544
	Adapter 1/4 to 1/8 NPT (2) -S, (1) -PF	511849	511849	511849	511849
	Pipe Nipple 1/4	S26300	S26300	S26300	S26300
	Tee 1/4	S39740	S39740	S39740	S39740
	Valve, Vent 1/8 -S	P75255	P75255	P75255	P75255
	Valve, Flush Flow 1/4 -PF	52-160-004-001	52-160-004-001	52-160-004-001	52-160-004-001
<b>Parts for Pumps with 1.25" Shaft Sleeve Diameter at Mechanical Seal (Small Bore)</b>					
15	Volute Coverplate	P85031	Not Available		
16	Volute Coverplate Capscrew (4)	P52320			
6	Impeller (State Diameter) 9.5" Full Diameter	P2000828			
3	Impeller Capscrew	P52350			
4	Impeller Lockwasher	J23874			
5	Impeller Washer	P46380			
7	Impeller Key	P49369			
12	Water Slinger	P53550			
8	Motor Bracket – Motor Frames 143JP,145JP,182JP,184JP	P85023			
10	Motor Bracket Capscrew for above (4)	P52320			
11	Shaft Sleeve	P85075			
<b>Mechanical Seal for Stuffing Box Configuration (-S) (Small Bore)</b>					
17	Seal Assembly EPR / Carbon vs Tungsten Carbide	P85070	Not Available		
18	Seal Cap	P85082			
22	Seal Cap Capscrew (4)	H28100			
20	Seal Cap Nut (4)	P52380			
21	Seal Cap Washer (4)	P10910			
19	Seal Cap Gasket	P85077			
<b>Packing for Stuffing Box Configuration (-PF) (Small Bore)</b>					
23	Packing Ring Set (4 Pieces to Each Set)	P82070	Not Available		
24	Lantern Ring Set (2 Pieces to Each Set)	P84985			
25	Packing Gland Halves (2) - Brass	P85048			
26	Packing Gland Capscrew (2)	J92052			
27	Packing Gland Nut (2)	J91659			
28	Packing Gland Washer (2)	J91649			
<b>Parts for Pumps with 1.625" Shaft Sleeve Diameter at Mechanical Seal (Large Bore)</b>					
15	Volute Coverplate	P85039	P85039	P85039	P85039
16	Volute Coverplate Capscrew (8)	P52320	P52320	P52320	P52320
6	Impeller (State Diameter) 9.5" Full Diameter	P2000830	P2000866	P2000917	P2000870
3	Impeller Capscrew	P13800	P13800	P13800	P13800
4	Impeller Lockwasher	J23875	J23875	J23875	J23875
5	Impeller Washer	P51230	P51230	P51230	P51230
7	Impeller Key	P49372	P49372	P49372	P49372
12	Water Slinger	P77320	P77320	P77320	P77320
8	Motor Bracket – Motor Frames 213JP,215JP,254JP,256JP	P85025	P85025	P85025	P85025
10	Motor Bracket Capscrew for above (4)	K03600	K03600	K03600	K03600
8	Motor Bracket – Motor Frames 284JP,286JP,324JP,326JP	P85099	P85099	P85099	P85099
10	Motor Bracket Capscrew for above (4)	P19490	P19490	P19490	P19490
11	Shaft Sleeve Kit	185022	185022	185022	185022
<b>Mechanical Seal for Stuffing Box Configuration (-S) (Large Bore)</b>					
17	Seal Assembly EPR / Carbon vs Tungsten Carbide	185050LF	185050LF	185050LF	185050LF
18	Seal Cap	P85086	P85086	P85086	P85086
22	Seal Cap Capscrew (4)	H28200	H28200	H28200	H28200
20	Seal Cap Nut (4)	P52380	P52380	P52380	P52380
21	Seal Cap Washer (4)	P10910	P10910	P10910	P10910
19	Seal Cap Gasket	P85078	P85078	P85078	P85078
<b>Packing for Stuffing Box Configuration (-PF) (Large Bore)</b>					
23	Packing Ring Set (4 Pieces to Each Set)	P82072	P82072	P82072	P82072
24	Lantern Ring Set (2 Pieces to Each Set)	P84986	P84986	P84986	P84986
25	Packing Gland Halves (2) - Brass	P85050	P85050	P85050	P85050
26	Packing Gland Capscrew (2)	J92052	J92052	J92052	J92052
27	Packing Gland Nut (2)	J91659	J91659	J91659	J91659
28	Packing Gland Washer (2)	J91649	J91649	J91649	J91649

ITEM	DESCRIPTION (QTY)	3x3x11B	4x4x11B	6x6x11B	8x8x11B
<b>STUFFING BOX CONFIGURATION (-S, -PF)</b>					
1	Volute	P2002402	P2002408	P2002420	P2002484
	Volute with Stainless Steel Wear Ring	P2002694	P2002718	P2002773	P2002789
	Stainless Steel Wear Ring	P2001666	P2002312	P2002321	P2002329
15	Volute Drains and Suction Gauge Plug - 0.25" NPT (4)	P39040	P39040	P39040	P39040
11	Volute Capscrew (16)	P13780	P13780	P13780	P13780
2	Volute Gasket	P80765	P80765	P80765	P80765
	Hose Braided	P2002543	P2002543	P2002544	P2002544
	Adapter 1/4 to 1/8 NPT (2) -S, (1) -PF	511849	511849	511849	511849
	Pipe Nipple 1/4	DL0025	DL0025	DL0025	DL0025
	Tee 1/4	S39740	S39740	S39740	S39740
	Valve, Vent 1/8 -S	P75255	P75255	P75255	P75255
	Valve, Flush Flow 1/4 -PF	52-160-004-001	52-160-004-001	52-160-004-001	52-160-004-001
<b>Parts for Pumps with 1.625" Shaft Sleeve Diameter at Mechanical Seal (Large Bore)</b>					
29	Volute Coverplate	P53056	P53056	P53056	P53056
16	Volute Coverplate Capscrew (8)	P52320	P52320	P52320	P52320
4	Impeller (State Diameter) 11" Full Diameter	P2000876	P2001173	P2001146	P2001741
14	Impeller Capscrew	P13800	P13800	P13800	P13800
13	Impeller Lockwasher	J23875	J23875	J23875	J23875
3	Impeller Washer	P51230	P51230	P51230	P51230
9	Impeller Key	P49372	P49372	P49372	P49372
8	Water Slinger	P77320	P77320	P77320	P77320
5	Motor Bracket – Motor Frames 213JP-215JP, 254JP-256JP	P85025	P85025	P85025	P85025
6	Motor Bracket Capscrew (4) – Motor Frames 213JP-215JP, 254JP-256JP	K03600	K03600	K03600	K03600
5	Motor Bracket – Motor Frames 284JP-286JP, 324JP-326JP	P85099	P85099	P85099	P85099
6	Motor Bracket Capscrew (4) – Motor Frames 284JP-286JP, 324JP-326JP	P19490	P19490	P19490	P19490
7	Shaft Sleeve Kit	185022	185022	185022	185022
<b>Mecahanical Seal for Stuffing Box Configuration (-S) (Large Bore)</b>					
17	Seal Assembly EPR / Carbon vs Tungsten Carbide	185050LF	185050LF	185050LF	185050LF
18	Seal Cap	P85086	P85086	P85086	P85086
22	Seal Cap Capscrew (4)	H28200	H28200	H28200	H28200
21	Seal Cap Washer (4)	P10910	P10910	P10910	P10910
19	Seal Cap Gasket	P85078	P85078	P85078	P85078
<b>Packing for Stuffing Box Configuration (-PF) (Large Bore)</b>					
23	Packing Ring Set (4 Pieces to Each Set)	P82072	P82072	P82072	P82072
24	Lantern Ring Set (2 Pieces to Each Set)	P84986	P84986	P84986	P84986
25	Packing Gland Halves (2) - Brass	P85050	P85050	P85050	P85050
26	Packing Gland Capscrew (2)	J92052	J92052	J92052	J92052
27	Packing Gland Nut (2)	J91659	J91659	J91659	J91659
28	Packing Gland Washer (2)	J91649	J91649	J91649	J91649

ITEM	DESCRIPTION (QTY)	4x4x13.5	5x5x13.5
<b>STUFFING BOX CONFIGURATION (-S, -PF)</b>			
1	Volute	P2002410	P2002416
	Volute with Stainless Steel Wear Ring	P2002726	P2002750
	Stainless Steel Wear Ring	P2002355	P2001684
15A	Volute Drains and Suction Gauge Plug - 0.25" NPT (4)	P39040	P39040
9	Volute Capscrew (16)	P13780	P13780
2	Volute Gasket	P80767	P80767
50	Hose Braided	P2002544	P2002544
	Adapter 1/4 to 1/8 NPT (2) -S, (1) -PF	511849	511849
	Pipe Nipple 1/4	DL0025	DL0025
	Tee 1/4	S39740	S39740
	Valve, Vent 1/8 -S	P75255	P75255
	Valve, Flush Flow 1/4 -PF	52-160-004-001	52-160-004-001
<b>Parts for Pumps with 1.625" Shaft Sleeve Diameter at Mechanical Seal (Large Bore)</b>			
15	Volute Coverplate	P2002887	P2002887
16	Volute Coverplate Capscrew (8)	P13780	P13780
6	Impeller (State Diameter) 11" Full Diameter	P2000888	P2000884
3	Impeller Capscrew	P13800	P13800
4	Impeller Lockwasher	J23875	J23875
5	Impeller Washer	P51230	P51230
7	Impeller Key	P49372	P49372
12	Water Slinger	P77320	P77320
8	Motor Bracket – Motor Frames 254JP-256JP	P85025	P85025
10	Motor Bracket Capscrew (4) – Motor Frames 254JP-256JP	K03600	K03600
8	Motor Bracket – Motor Frames 284JP-286JP, 324JP-326JP	P85099	P85099
10	Motor Bracket Capscrew (4) – Motor Frames 284JP-286JP, 324JP-326JP	P19490	P19490
11	Shaft Sleeve Kit	185022	185022
<b>Mecahanical Seal for Stuffing Box Configuration (-S) (Large Bore)</b>			
17	Seal Assembly EPR / Carbon vs Tungsten Carbide	185050LF	185050LF
18	Seal Cap	P85086	P85086
22	Seal Cap Capscrew (4)	H28200	H28200
21	Seal Cap Washer (4)	P10910	P10910
19	Seal Cap Gasket	P85078	P85078
<b>Packing for Stuffing Box Configuration (-PF) (Large Bore)</b>			
23	Packing Ring Set (4 Pieces to Each Set)	P82072	P82072
24	Lantern Ring Set (2 Pieces to Each Set)	P84986	P84986
25	Packing Gland Halves (2) - Brass	P85050	P85050
26	Packing Gland Capscrew (2)	J92052	J92052
27	Packing Gland Nut (2)	J91659	J91659
28	Packing Gland Washer (2)	J91649	J91649

# Xylem |'zīləm|

- 1) The tissue in plants that brings water upward from the roots;
- 2) a leading global water technology company.

We're a global team unified in a common purpose: creating innovative solutions to meet our world's water needs. Developing new technologies that will improve the way water is used, conserved, and re-used in the future is central to our work. We move, treat, analyze, and return water to the environment, and we help people use water efficiently, in their homes, buildings, factories and farms. In more than 150 countries, we have strong, long-standing relationships with customers who know us for our powerful combination of leading product brands and applications expertise, backed by a legacy of innovation.

**For more information on how Xylem can help you, go to [www.xyleminc.com](http://www.xyleminc.com)**



Xylem Inc.  
8200 N. Austin Avenue  
Morton Grove, Illinois 60053  
Phone: (847) 966-3700  
Fax: (847) 965-8379  
[www.marlowpumps.com](http://www.marlowpumps.com)

Goulds is a registered trademark of Goulds Pumps, Inc. and is used under license.  
© 2016 Xylem Inc. RE580 June 2016